

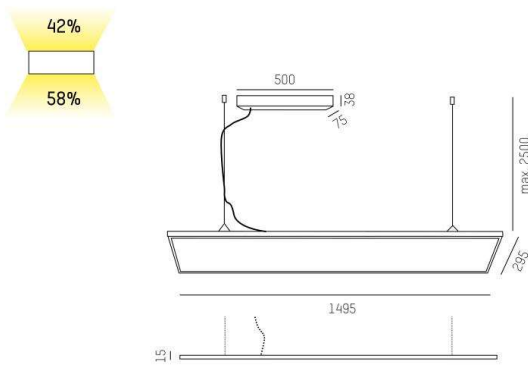
RUBE PDI

757-lr15031050bs

RUBE PDI SUSPENSION made of aluminium, black, microprismatic PMMA cover for perfect anti-glare light output direct / indirect, UGR <19, with converter, cable transparent, pendant length 2500mm, IP20



DRAWING



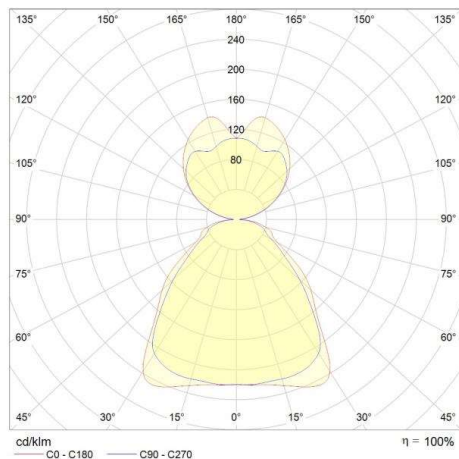
TECHNICAL DETAILS

|                     |                      |
|---------------------|----------------------|
| System perform. [W] | 53                   |
| Bulb type           | LED                  |
| Luminous flux [lm]  | 4950                 |
| Colour temp. [K]    | 3000K                |
| CRI                 | >80                  |
| UGR                 | <19                  |
| Optics              | microprismatic cover |
| Converter           | with converter       |
| Light output        | direct / indirect    |
| Voltage [V]         | 220-240V 50/60Hz     |
| Material            | aluminium            |

|                     |                  |
|---------------------|------------------|
| Length [mm]         | 1495             |
| Width [mm]          | 295              |
| Height [mm]         | 15               |
| Pendant length [mm] | 2500             |
| IP protection class | IP20             |
| Voltage class       | protection cl. I |
| Net weight [kg]     | 5,48             |

|               |             |
|---------------|-------------|
| Color lamp    | black       |
| Electric wire | transparent |
| Lifetime [h]  | 50 000      |

LIGHT DISTRIBUTION CURVE



The values are rated values. Power and luminous flux are initially subject to a tolerance of +/- 10%. Colour temperature tolerance: +/- 150 K. The values apply to an ambient temperature of 25°C unless otherwise specified.