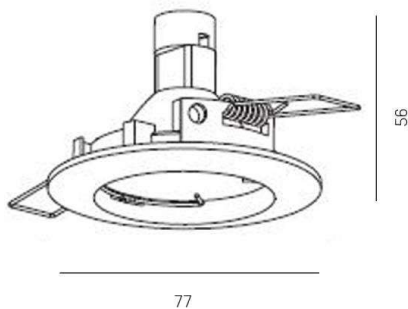


SERIE 146 HV**8-14646hv**

SERIE 146 HV RECESSED SPOTLIGHT made of aluminium, nickel matt, light output direct, dimmability: not dimmable, IP20

**DRAWING****TECHNICAL DETAILS**

Bulb type	QPAR 16 9W
No. of bulb holders	1x
Socket	GU10
Dimming	not dimmable
Light output	direct
Voltage [V]	220-240V 50/60Hz
Material	aluminium
Height [mm]	95
Diameter [mm]	78
Ceiling cutout [mm]	65
Recess depth [mm]	115
IP protection class	IP20
Voltage class	protection cl. I
Net weight [kg]	0,10
Colour lamp	nickel matt
EAN-Number	9008905915215

LIGHT DISTRIBUTION CURVE

The values are rated values. Power and luminous flux are initially subject to a tolerance of +/- 10%. Colour temperature tolerance: +/- 150 K. The values apply to an ambient temperature of 25°C unless otherwise specified.