

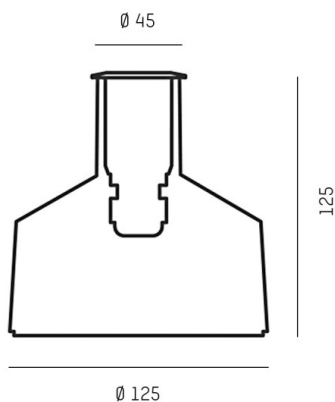
**NANOLED**

**851-s3364w19**

NANOLED ROUND RECESSED FLOOR LAMP made of stainless steel, stainless steel, transparent glass beam 29°, light output direct, without converter, dimmability: see converter, cable black, IP67



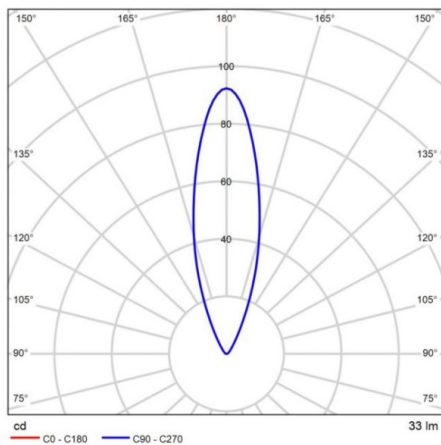
**DRAWING**



**TECHNICAL DETAILS**

System perform. [W]	1
Bulb type	LED
Luminous flux [lm]	61
Colour temp. [K]	3000K
CRI	>90
Optics	transparent glass
Converter	without converter
Dimming	see converter
Light output	direct
Beam angle [°]	29°
Voltage [V]	24 VDC
Material	stainless steel
Diameter [mm]	45
Ceiling cutout [mm]	125
Recess depth [mm]	125
IP protection class	IP67
Voltage class	protection cl. III
Shock resistance	IK08
Net weight [kg]	0,72
Colour lamp	stainless steel
Electric wire	black
EAN-Number	8033357123315
Lifetime [h]	70 000 L80 B10
Energy efficiency cl.	F

**LIGHT DISTRIBUTION CURVE**



The values are rated values. Power and luminous flux are initially subject to a tolerance of +/- 10%. Colour temperature tolerance: +/- 150 K. The values apply to an ambient temperature of 25°C unless otherwise specified.