

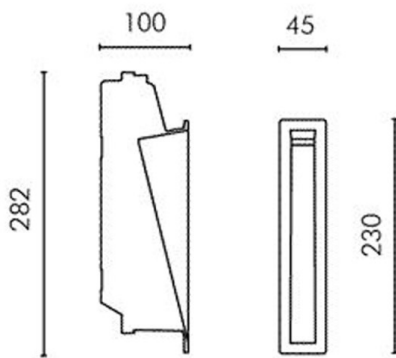
BLINKER

851-s6060w14

MICROBLINKER LED RECESSED WALL LUMINAIRE made of aluminium, grey, transparent glass satined, light output direct, with converter, dimmability: not dimmable, IP65



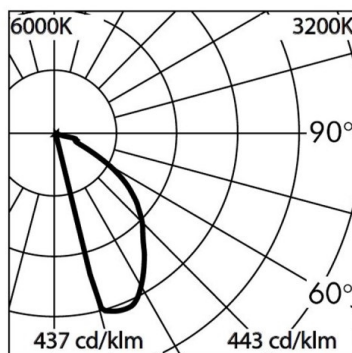
DRAWING



TECHNICAL DETAILS

System perform. [W]	5
Bulb type	LED
Luminous flux [lm]	30
Colour temp. [K]	3000K
CRI	>90
Optics	transparent glass
Converter	with converter
Dimming	not dimmable
Light output	direct
Voltage [V]	220-240V 50/60Hz
Material	aluminium
Length [mm]	230
Width [mm]	45
Height [mm]	100
IP protection class	IP65
Voltage class	protection cl. I
Shock resistance	IK06
Net weight [kg]	0,80
Colour lamp	grey
Colour of glass/shade	satined
EAN-Number	8033357862474
Lifetime [h]	50 000 L70 B20

LIGHT DISTRIBUTION CURVE



The values are rated values. Power and luminous flux are initially subject to a tolerance of +/- 10%. Colour temperature tolerance: +/- 150 K. The values apply to an ambient temperature of 25°C unless otherwise specified.