

AUSTRIA

HEADOFFICE WELS

Office & Showroom
Europastraße 45
4600 Wels, Austria
+43 7242 698-0
office@moltoluce.com

PRODUCTION WEISSKIRCHEN

Office
Gewerbepark 6 + 10
4616 Weißkirchen, Austria
+43 7243 60063
office.weisskirchen@moltoluce.com

VIENNA

Office & Showroom
Vorarlberger Allee 28
1230 Vienna, Austria
+43 1 6160300
office.wien@moltoluce.com

GRAZ

Office
Robert-Viertl-Straße 2
8055 Graz, Austria
+43 316 672525-0
office.graz@moltoluce.com

INNSBRUCK

Office
Orbis Office, Resselstraße 33
6020 Innsbruck, Austria
+43 512 345688
office.innsbruck@moltoluce.com

GERMANY

MUNICH

Office & Showroom
Walter-Gropius-Straße 23
80807 Munich, Germany
+49 89 4520565-0
office.muenchen@moltoluce.com

COLOGNE

Office & Showroom
Schanzenstraße 39 D14
51063 Cologne, Germany
+49 221 222882-0
office.koeln@moltoluce.com

HAMBURG

Office & Showroom
Wandsbeker Allee 77
22041 Hamburg, Germany
+49 40 2847850-1
office.hamburg@moltoluce.com

SWITZERLAND

LENZBURG

Office
Niederlenzerstrasse 25
5600 Lenzburg, Switzerland
+41 62 885 70 30
office.lenzburg@moltoluce.com

ITALY

BRESCIA

Office
Viale Duca D'Aosta 28
25135 Brescia, Italy
+39 030 2400679
office.brescia@moltoluce.com

EXPORT

INTERNATIONAL SALES

Peter Sadlon
Head of International Sales
+43 676 6980990
molto_export@moltoluce.com

 MOLTOLUCE.COM

MOLTO LUCE®

EN



HS_01_25
1000

kat-office_25_en

OFFICE
LIGHTING SOLUTIONS

MOLTO LUCE®





USEFUL INFORMATION

04-05



OFFICE-ZONES

06-11



ACOUSTICS

12-13



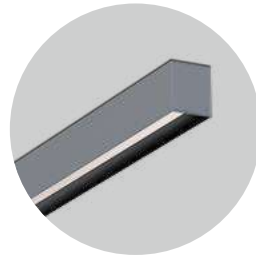
LENS 2

14-15



IMPRESSIONS & PROFITABILITY

16-17



RECOMMENDED PRODUCTS

18-19

GOOD
LIGHT
STORIES

INDEX

EXPERTISE IN TECHNOLOGY, DESIGN, PLANNING, AND PROJECT MANAGEMENT LIMITLESS.

Our lighting solutions for spaces with an emotional touch. We are an Austrian full-service provider of lighting solutions, produced at our development and manufacturing site in Weißkirchen/Wels. Functional quality luminaires that combine outstanding technology and modern design, effectively integrated into customised lighting concepts. We create a positive atmosphere in the room and make light an enjoyable experience.



■ = BRANCH
▨ = LOCAL CONTACT

OUR SERVICE OFFERING

We think from the big picture down to the details, leaving nothing to chance. Because only this way can lighting concepts be created that bring maximum user satisfaction. Individual planning ensures that specific consideration is given to the particular spatial situation and the needs and requirements of the people who will use the spaces.

Everything from one source and with a competent partner by your side. We offer you a complete service, starting with comprehensive lighting design and project realization, taking care of the individual requirements of tailor-made lighting solutions, adjusting the lighting on-site to the desired settings, and, of course, remaining available as a support partner even after project completion.



DEVELOPMENT AND PRODUCTION
IN AUSTRIA

OFFICE LIGHTING FOR EFFICIENCY AND WELL-BEING

Lighting for modern workspaces: efficient, performance-enhancing, and aesthetically appealing.

Today's work environment is flexible and diverse. Proper lighting plays a central role in ensuring employee well-being and productivity. Lighting is much more than a functional element—it is a key factor in creating a pleasant and productive work atmosphere. Adequate brightness, the right colour temperature, glare-free illumination, and flexibility are as essential as energy efficiency, which is always taken into account in successful lighting design.

Molto Luce office lighting redefines efficiency and comfort: **glare-free light and ergonomic solutions** enhance concentration and well-being in the workplace. Our **acoustic concepts** address the demands of modern work environments, fostering a pleasant working atmosphere. **Flexible luminaires and task-specific lighting solutions** ensure optimal brightness at all times. **Sensor and matrix technologies** enable intelligent, energy-efficient, and funding-eligible lighting systems tailored to the unique needs of each workspace.



LUKS Elektro GmbH, Amstetten, Austria, Photo: Joachim Rauch

Wirtschaftskammer Oberösterreich, Linz, Austria
Photo: Joachim Rauch



Wirtschaftskammer Oberösterreich, Linz, Austria, Photo: Joachim Rauch



Arbeiterkammer, Kirchdorf, Austria
Photo: Joachim Rauch



Tyrolit, Bassano del Grappa, Italy,
Photo: Marco Zanta

OFFICE ZONES

WORKSTATIONS

The office is a space for exchange, collaboration, and new ideas. Optimal working conditions and proper lighting are essential for this. Glare-free light ($UGR < 19$) and the right color temperature create a productive atmosphere. Our workstation-specific lighting solutions with matrix technology ensure uniform, high-performance illumination for single, double, and multi-user workstations.

Have you thought about this?

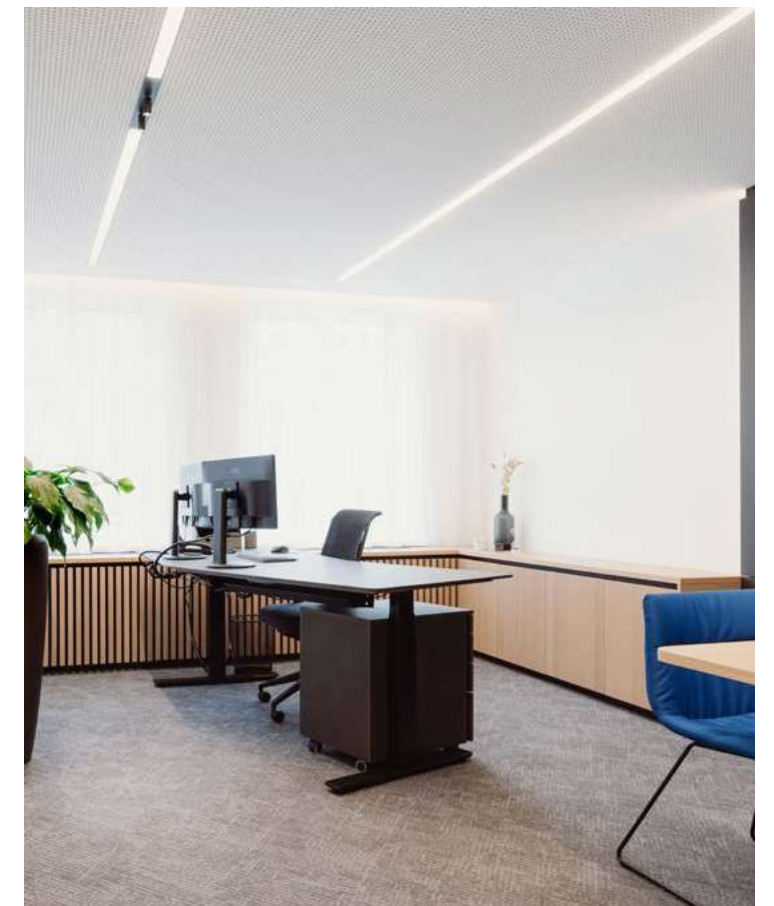
Time to stand up: Height-adjustable desks and ergonomic chairs promote health and productivity. The LENS2 floor lamp with matrix technology ensures perfect illumination, even in a standing position.

More light, please: DIN EN 12464-1 requires variable lighting levels, with 500 lx as the standard and 750 lx for precision work or older individuals. Our planning service ensures ideal implementation.

Sedus, Vienna, Austria
Photo: Joachim Rauch



DiniTech, St. Stefan/R, Austria, Photo: Joachim Rauch



Kommerzcenter Sparkasse, Rohrbach, Austria, Planning: Leibez Interior Design, Photo: Stöbich

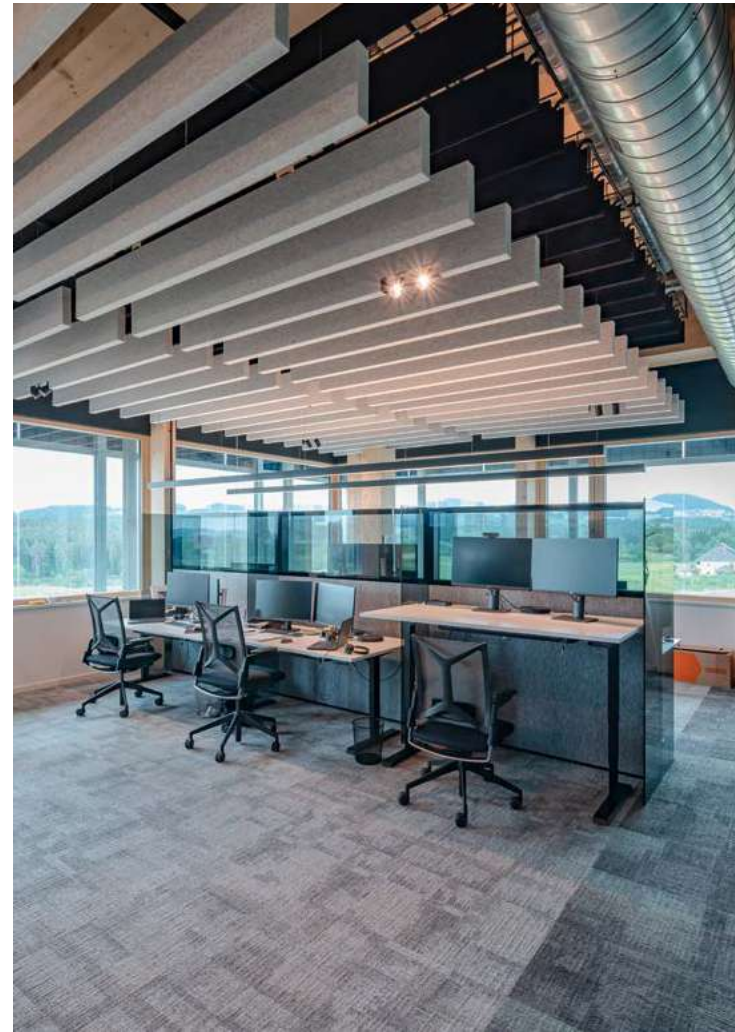
OPEN-PLAN OFFICES

Open-plan offices require flexible lighting that provides sufficient brightness and promotes well-being. Glare-free general lighting and individually controllable light sources support various tasks and reduce fatigue. Modern lighting solutions with sensor-controlled adjustment and acoustic luminaires create a productive, adaptable atmosphere—perfect for the dynamics of contemporary work environments.

Have you thought about this?

Acoustics and lighting: In modern offices, acoustics and lighting are crucial for well-being and productivity. Their optimal interaction creates a pleasant atmosphere and enhances concentration.

Flexibility: Flexible desks, storage solutions, and independent lighting options like floor lamps and track systems provide optimal illumination for changing positions and tasks—perfect for dynamic work environments.



Neoom Free City, Freistadt, Austria
Planning & Realisation: Ben Elmecker, Photo: Joachim Rauch



Officeproject, Kufstein, Austria, Photo: Joachim Rauch



Object Carpet, Denkendorf, Germany, Photo: Simon Wegener

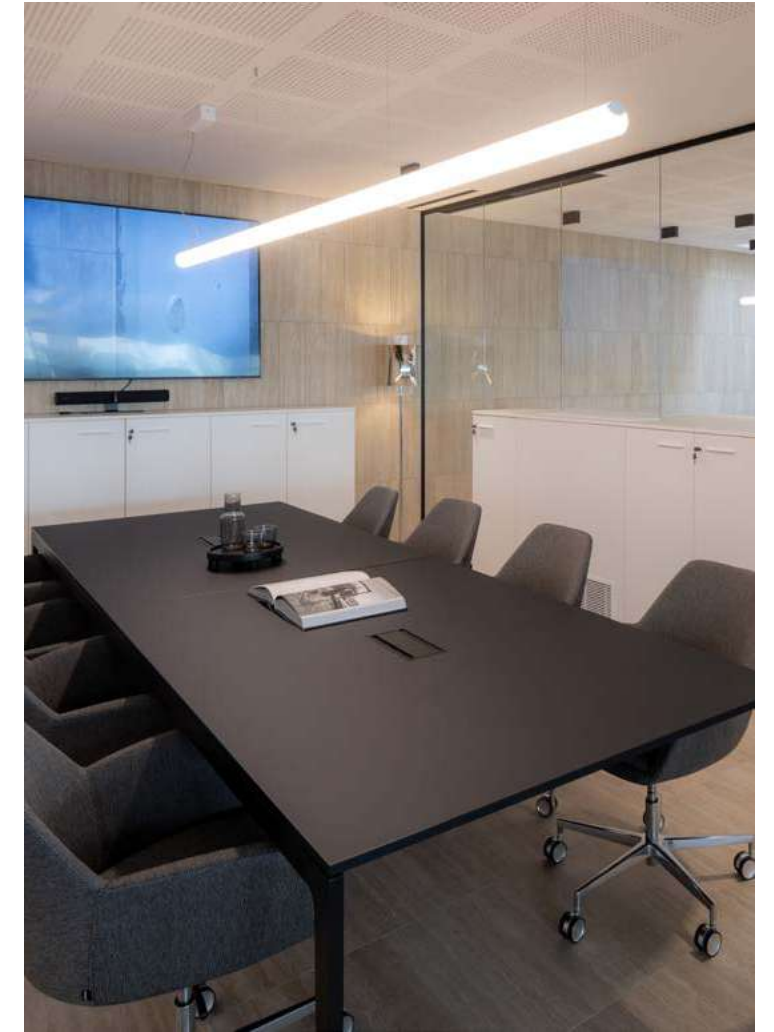
MEETING ROOMS

Meeting rooms are versatile spaces where ideas are exchanged, decisions are made, and projects are planned. They accommodate various personalities and a wide range of activities. Lighting plays a crucial role: it must be flexible enough to support presentations, discussions, meetings, and workshops equally well.

Have you thought about this?

Glare-free general lighting: A sufficiently bright, indirect light source with a neutral colour temperature (4000K) creates ideal conditions for focused work and gives the room an inviting atmosphere. This ensures that the recommended 500 lx for meeting rooms is easily achieved.

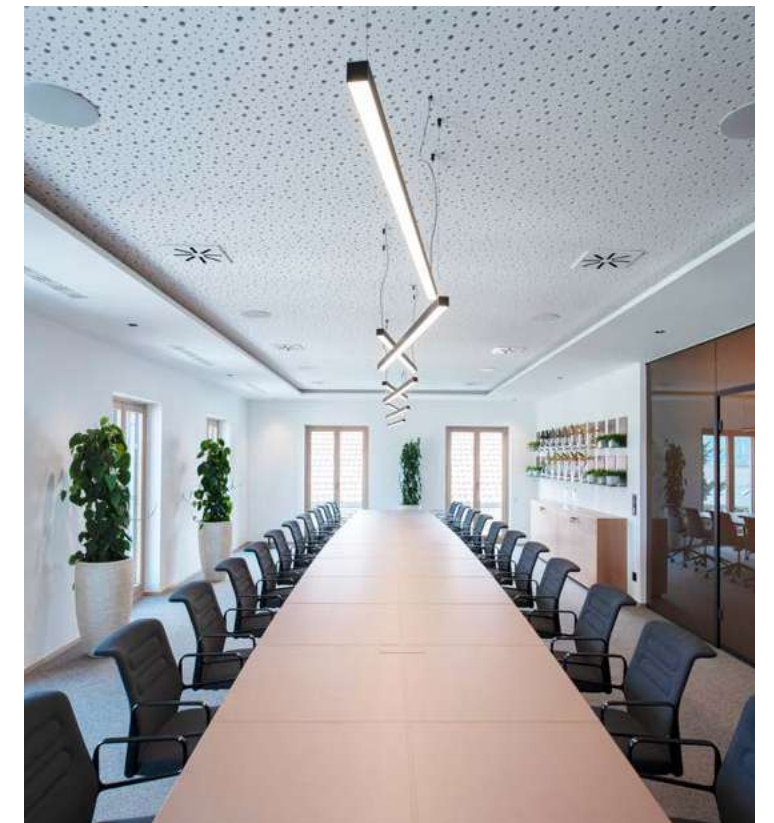
Smart lighting control: With controllable lighting systems like CASAMBI or DALI, various lighting scenarios can be pre-programmed and recalled instantly at the touch of a button—professional and tidy.



Tyrolit, Bassano del Grappa, Italy
Photo: Marco Zanta



Officeproject, Kufstein, Austria, Photo: Joachim Rauch



Raiffeisenbank Attersee-Süd, Nußdorf, Austria, Design + Architektur AREA.at,
Photo: Joachim Rauch

COMMON AREAS

Common areas such as kitchens, bars, cafeterias, and lounges provide spaces for interaction, relaxation, and creative work. These vibrant spaces cater to diverse needs and benefit from lighting that creates an inviting atmosphere and enhances comfort. Attractive lighting solutions, especially in entrance areas, provide orientation and reflect the company's identity.

Have you thought about this?

Standing meetings: Standing meetings keep discussions shorter and more precise, foster a focused atmosphere, and relieve the body—a win for concentration and health.

Lighting and interior design: Our planners ensure that light quality remains optimal in the finished space, as dark walls often absorb light, and interior design is frequently developed after lighting plans are created.



Salience Consulting, Skopje
Photo: © Property One Design and Development

OUTDOOR AREAS

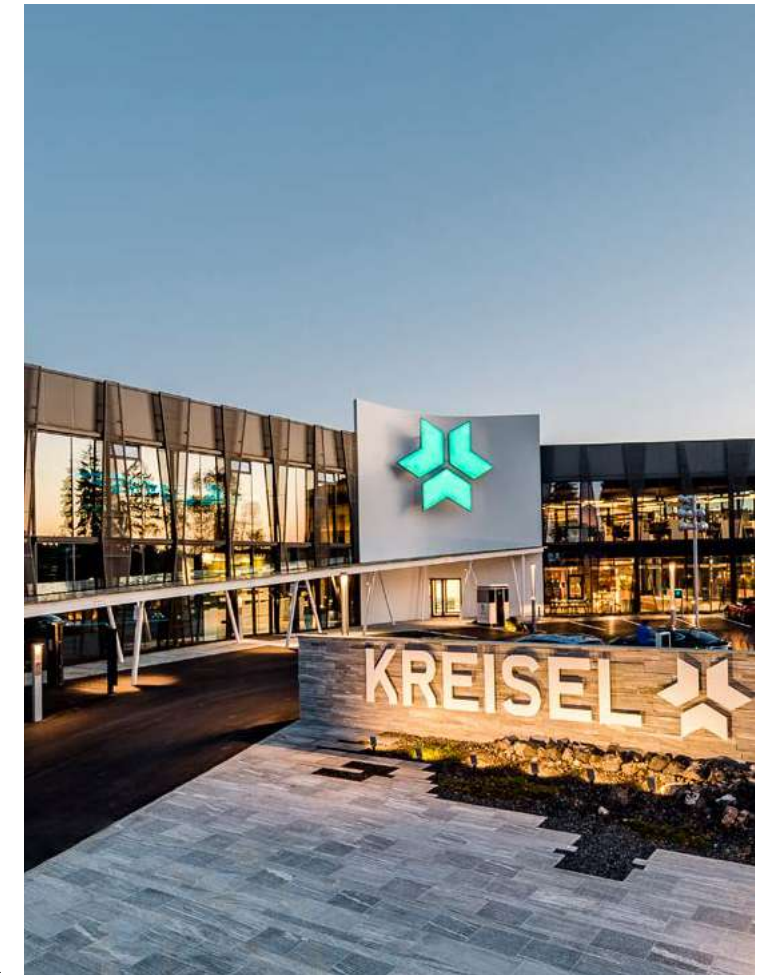
Parking lots, underground garages, and pathways may only see brief visits, but first impressions matter. Thoughtful lighting design ensures safety, orientation, and a pleasant atmosphere. Glare-free, well-placed luminaires provide clear visibility and a sense of security, whether arriving, leaving, or walking to the vehicle. Robust, energy-efficient solutions deliver optimal lighting even in adverse weather conditions, leaving a positive impression.

Have you thought about this?

Lighting provides orientation: Well-placed lighting guides the way and conveys safety and comfort in outdoor areas.

Reliability outdoors: Outdoor luminaires with IP54 protection effectively shield against dust and water splashes, making them ideal for use in the outdoor areas of office buildings.

Kreisel Electrics, Rainbach, Austria,
Planning: Ben Elmecker, Photo: Kreisel Electric / Martin Pröll



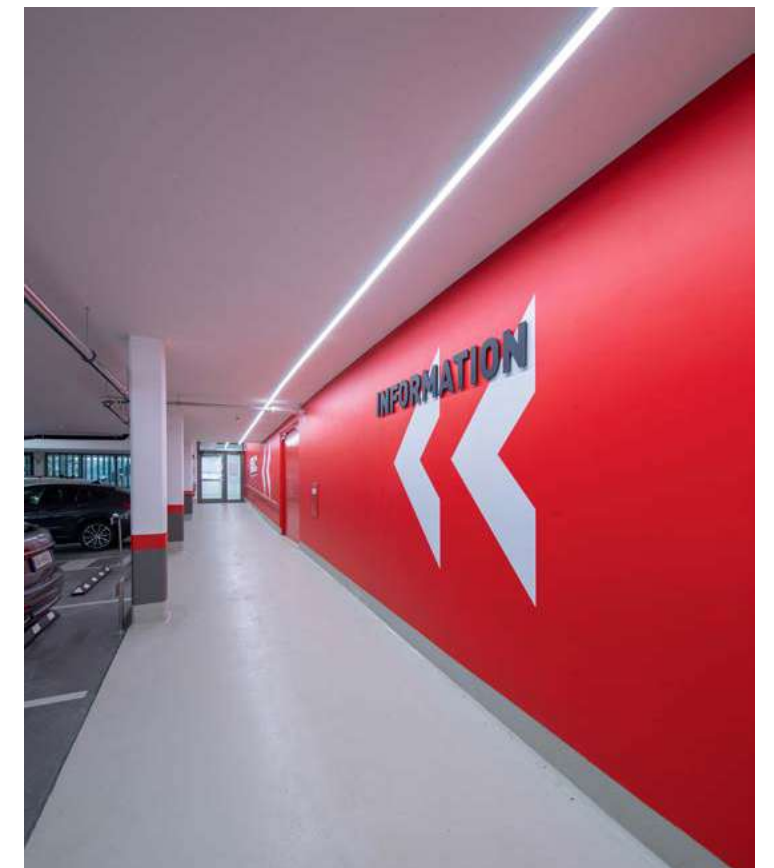
Penzkofer Bau, Regen, Germany, Photo: Joachim Rauch



Neoom Free City, Freistadt, Austria, Planning & Realisation: Ben Elmecker, Photo: Joachim Rauch



Object Carpet, Denkendorf, Germany, Photo: Simon Wegener



Wirtschaftskammer Oberösterreich, Linz, Austria, Photo: Joachim Rauch



Molto Luce Entwicklung,
Weißkirchen, Austria
Photo: Joachim Rauch
Product: LON HEXAGON
Design: Ben Elmecker

ACOUSTICS 

SILENT MOOD OF *LIGHT* - BAFFLE

In open-plan workspaces and offices, disruptive noise is often a challenge that affects concentration and productivity. Acoustic panels and acoustic luminaires provide a solution: they combine sound-absorbing properties with aesthetic design, fostering a pleasant working environment that supports calm and focus.

Acoustic luminaires merge lighting and sound dampening. Made from a special thermally solidified nonwoven material, consisting largely of recycled PET bottles, and featuring a large form factor, they absorb sound while providing glare-free, even illumination. This combination of light and acoustic optimisation transforms the office into a space that promotes concentration and enhances comfort. Whether as a standout feature in the room or subtly integrated, acoustic elements are essential components of modern offices, offering a quiet and comfortable atmosphere.



Design: Ben Elmecker

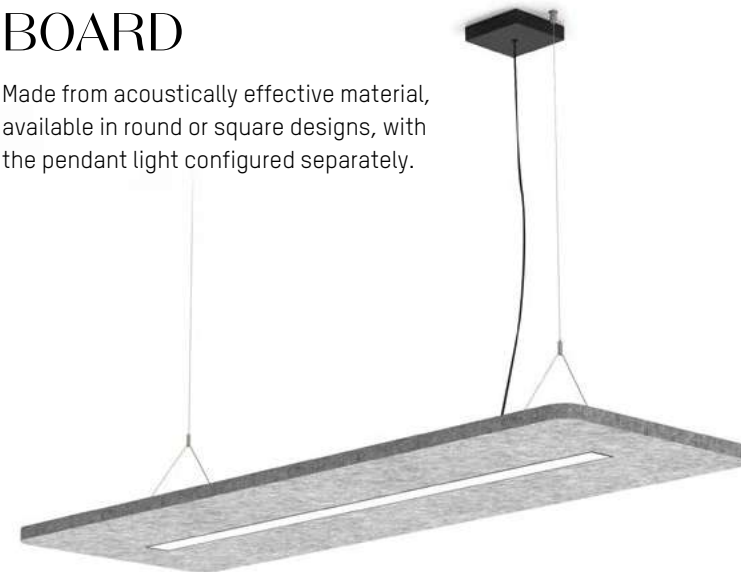


LON

Ceiling and pendant light series, available in ring or hexagonal designs, made of aluminum, optionally with acoustic elements.

BOARD

Made from acoustically effective material, available in round or square designs, with the pendant light configured separately.



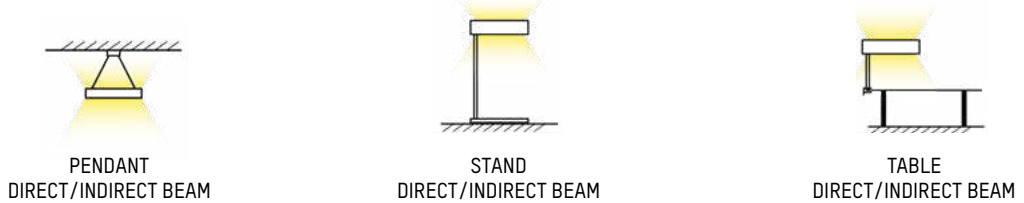
Salience Consulting, Skopje, Macedonia
Photo: Property One Design and Development



MINIMALISM IN PERFECTION - NEXT LEVEL

LENS 2 revolutionises office lighting with its unique, comprehensive sensor matrix technology and cutting-edge minimalist design. Imagine stepping into the workspace and being welcomed by gentle light that perfectly adapts to the brightness of natural daylight—any time of day. This is what the new LENS 2 delivers. Easy to install with just a few steps and equipped with individual workplace recognition for daylight and motion detection, it not only optimises energy consumption but also creates work environments tailored to individual needs.

VARIATIONS



WORKPLACES

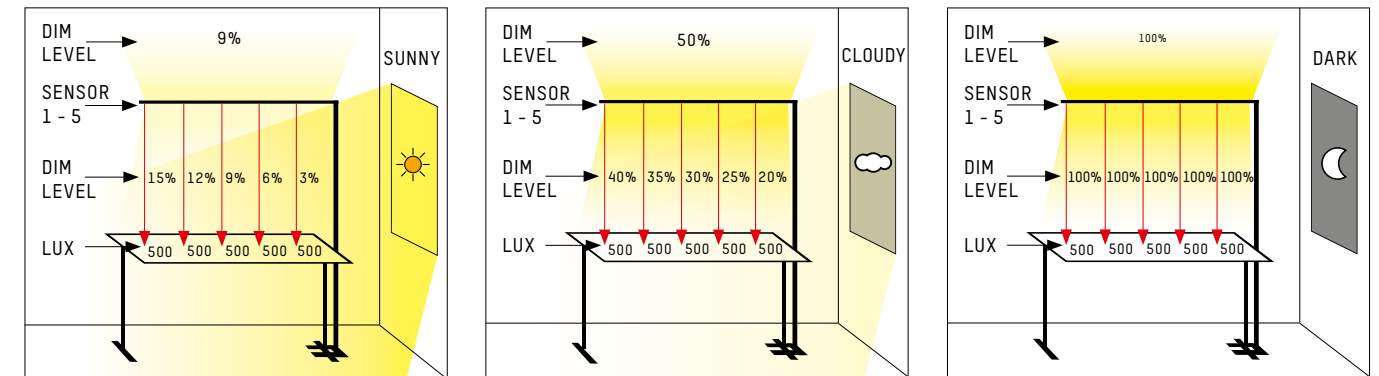


Light & Building Fair, Frankfurt, Germany, Photo: Joachim Rauch



Work Experience Space, Cologne, Germany, Photo: Project Rheinland AG

DIM 2 DAYLIGHT

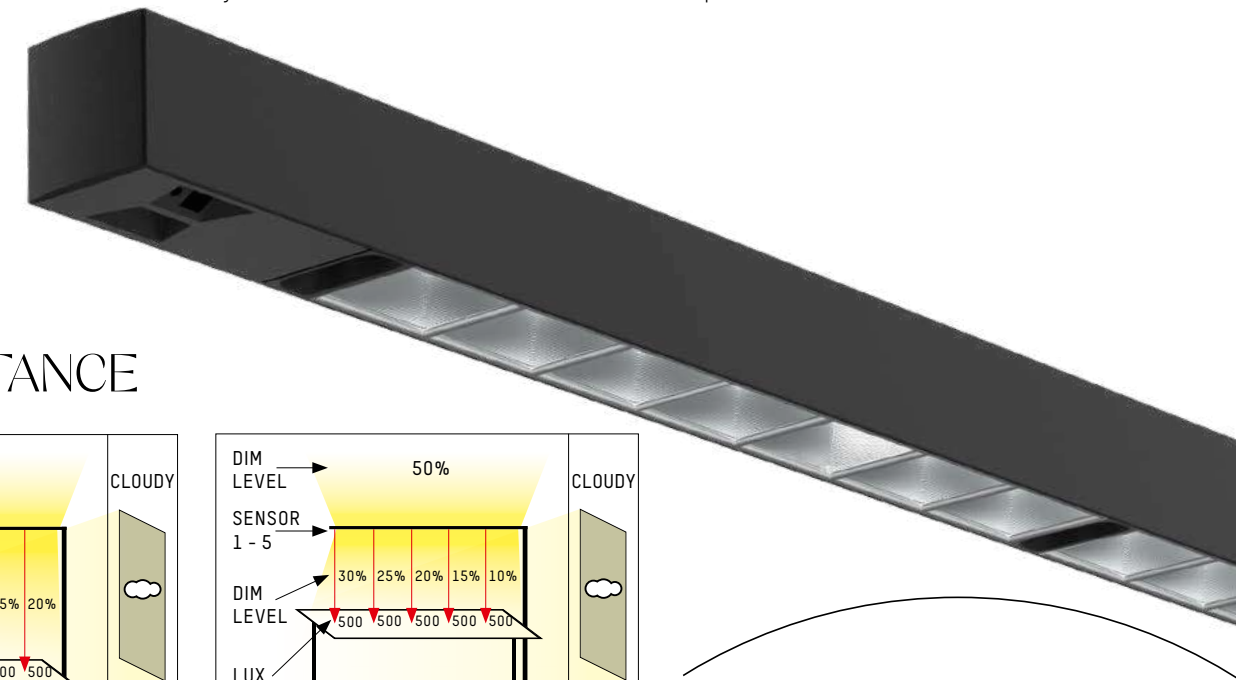


Pic. 1

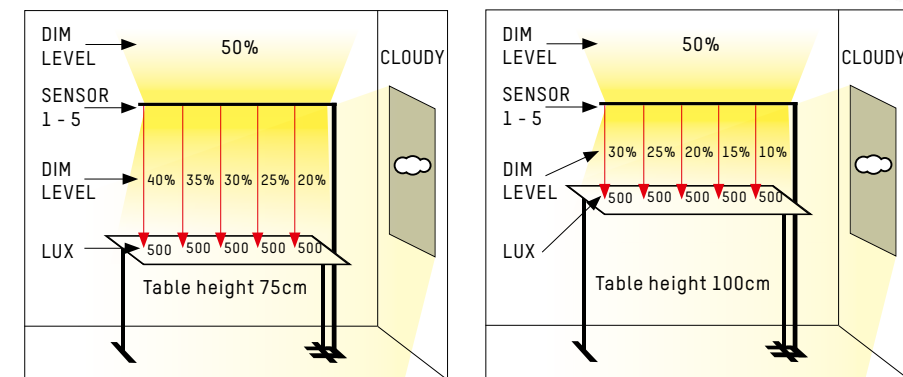
Pic. 2

Pic. 3

The sensor matrix takes energy efficiency to the next level. Five light sensors monitor the workstation to analyse the amount of available light. When sunlight shines through the window onto the desk, the dim level adjusts in sections to match the necessary corrections, ensuring the set illuminance, e.g., 500 lux, is maintained across the entire workstation (see picture 1). A sudden weather change or the appearance of clouds? The change in lighting conditions is detected, and the light level adapts to the new situation (see picture 2). If the sensors detect complete darkening of the desk—whether due to blinds being lowered or the absence of daylight because of the time of day—the dim level increases to its maximum (see picture 3).



DIM 2 DISTANCE



Pic. 1

Pic. 2

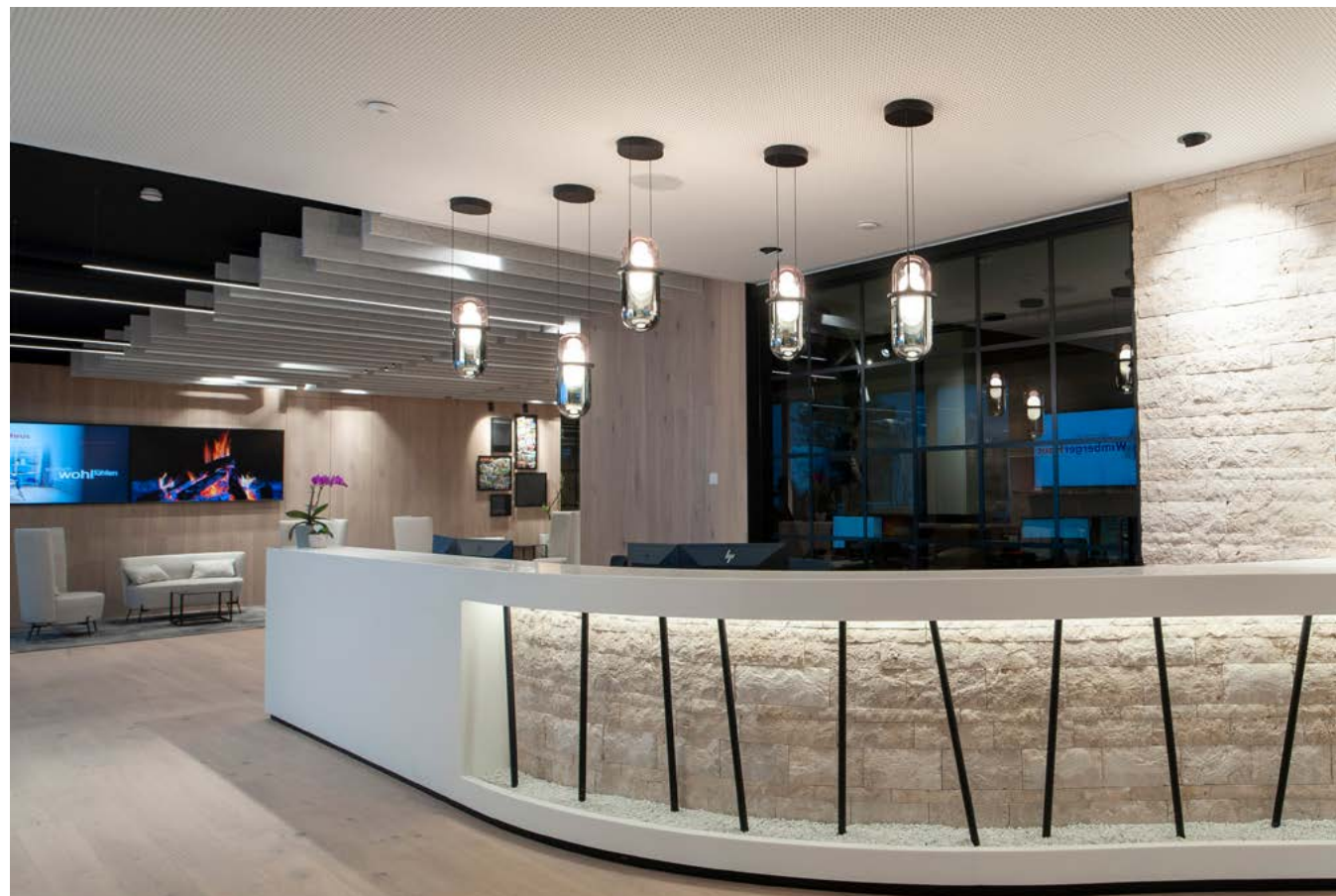
The sensor matrix not only reacts to changes in external lighting conditions—it also detects movements in desk height and adjusts the dim levels accordingly (see picture 1). This feature is particularly useful when using height-adjustable desks. Whether the desk is raised for standing work or lowered for sitting, the sensors detect every movement. This ensures that the illuminance, e.g., 500 lux, and perfect lighting of the workstation are maintained regardless of the desk height (see picture 2).



Infos & Video



Tyrolit, Bassano del Grappa, Italy, Photo: Marco Zanta



Wimberger Haus, Lasberg, Austria, Planning & Realisation: Ben Elmecker, Photo: Joachim Rauch

AN INVESTMENT THAT PAYS OFF

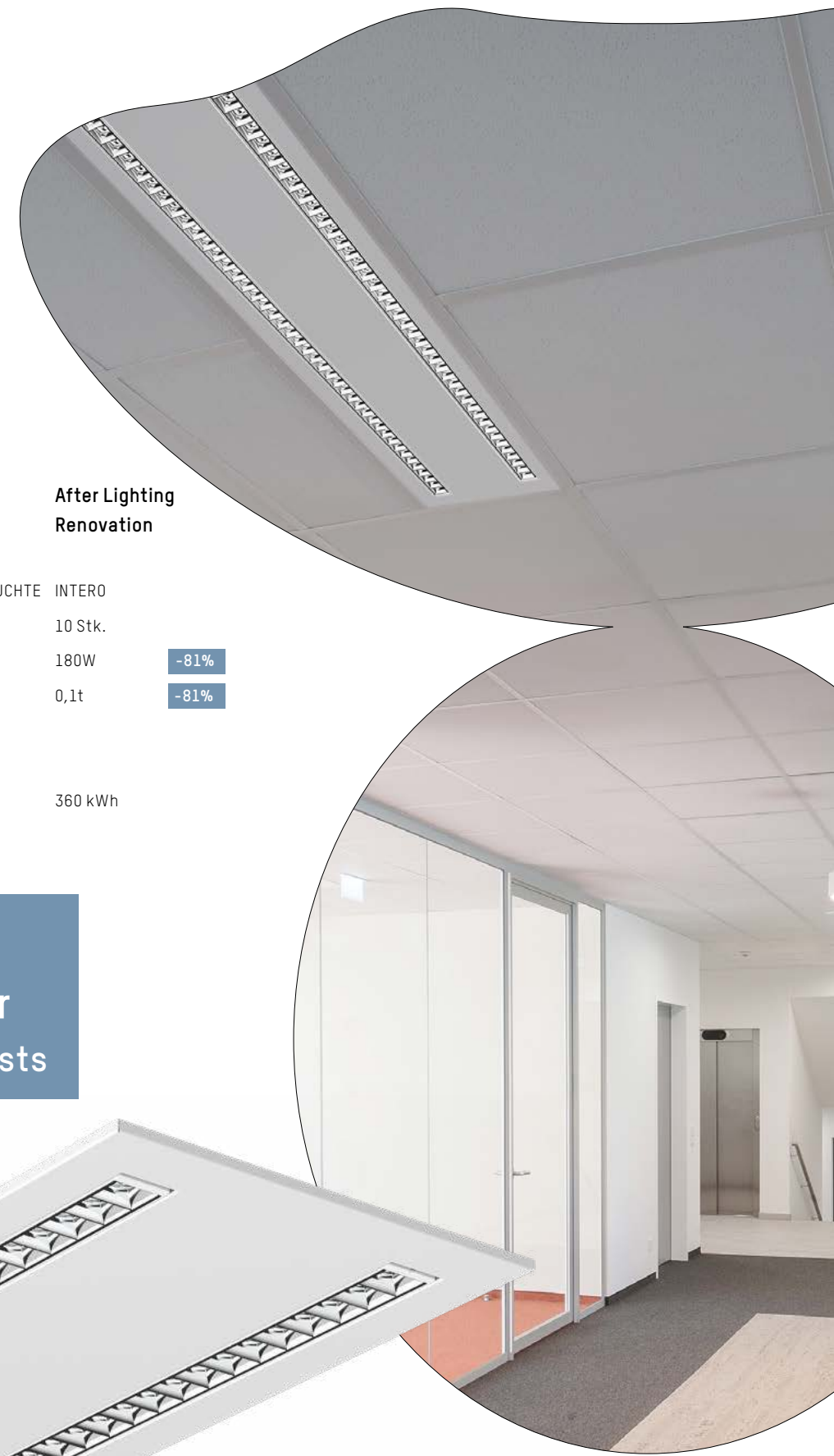
Investments in modern lighting solutions reduce ongoing costs. Especially in renovation projects, the potential savings are enormous, and lucrative subsidies may be available depending on the region. Our planning experts are happy to assist you.

Office example

	Before Lighting Renovation	After Lighting Renovation	
Operating Data			
Lighting System	RASTEREINBAULEUCHE	INTERO	
Number of Fixtures	10 Stk.	10 Stk.	
Total Power	960W	180W	-81%
CO ₂ Emissions (Year)	0,4t	0,1t	-81%
Operating Costs / Year			
Total Power Consumption	1.920 kWh	360 kWh	

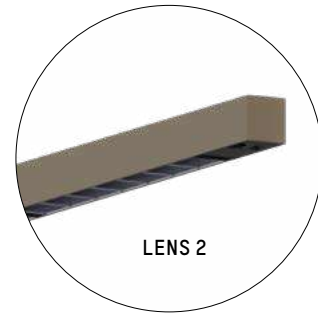
Savings:
-81% per year
 on energy, CO₂, and costs

INTERO M600 R

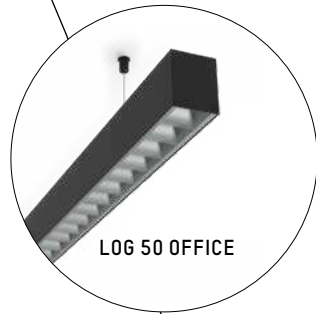


RECOMMENDED PRODUCTS

Workstations:



LENS 2

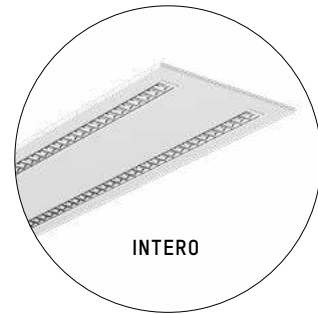
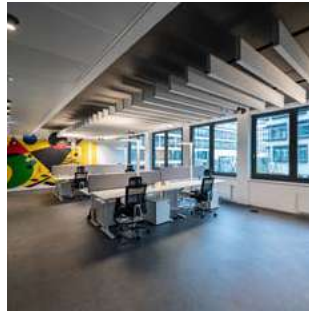


LOG 50 OFFICE



SYSTEM 01/02

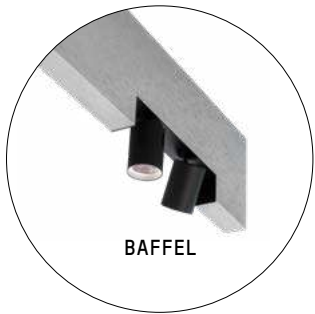
Open-plan offices:



INTERO



LOG 2.1 BINA OFFICE

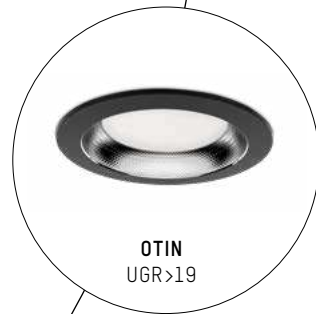


BAFFEL

Common areas:



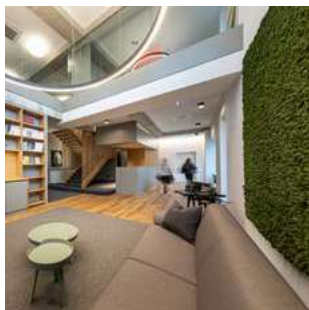
VARIDO 2
UGR>19



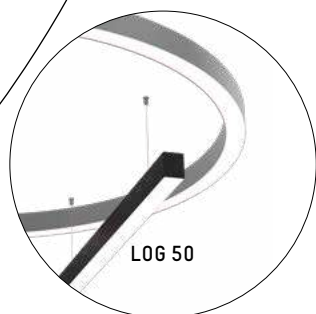
OTIN
UGR>19



RIDE RING



MOVA

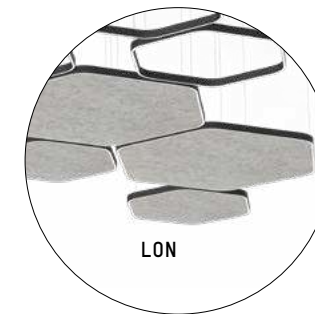


LOG 50

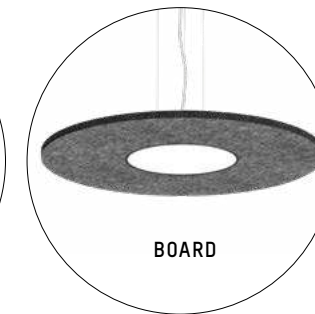


BIDO
UGR>19

Meeting rooms:



LON

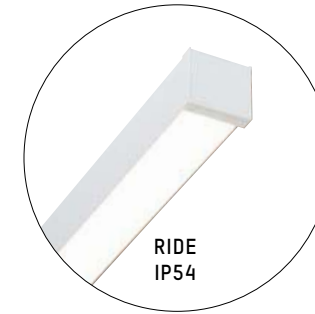


BOARD



BINA
UGR>19

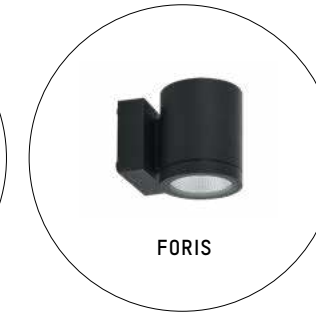
Outdoor areas:



RIDE
IP54



MONA



FORIS

Our Planning Service for Perfect Office Lighting:

Enhance productivity and well-being with our tailored, efficient lighting concepts. Molto Luce brings your vision to light because your project deserves the best.

